

Butterfly valves



Butterfly valve model 707

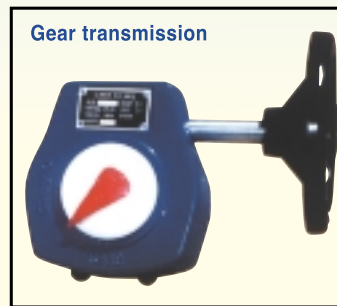
The Butterfly valves are made to be used in Industrial, Agricultural, heating and Air Conditioning systems. The valve is a wafer type, to be assembled between two flanges according to DIN / ANSI / BS standards. The valve is equipped with a high- quality, replaceable resilient sleeve. The disc is connected to an SST shaft, rotating in low- friction “Nylotron” bearings. Two activation means can be supplied:

- Manual, by a locking lever
- Manual, by a transmission gear unit

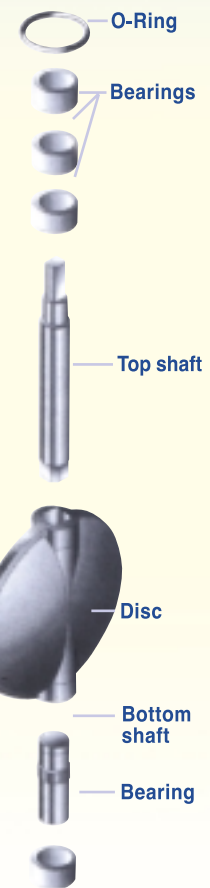
An extra- long neck enables convenient activation of the valve when it is assembled in a manhole.

Material Table:

	MATERIALS
Body:	Cast Iron GG25 / ASTM A126 Epoxy Coated
Disc:	GGG50 / ASTM - A536 Ni Coated Stainless Steel 316 Aluminium Bronze Bronze
Disc Lining (optional)	Teflon Enamel Glass
Shaft:	Stainless Steel 304
Sleeve:	EPDM NBR
Bearings	PTFE
O-Ring	EPDM NBR



Structure:

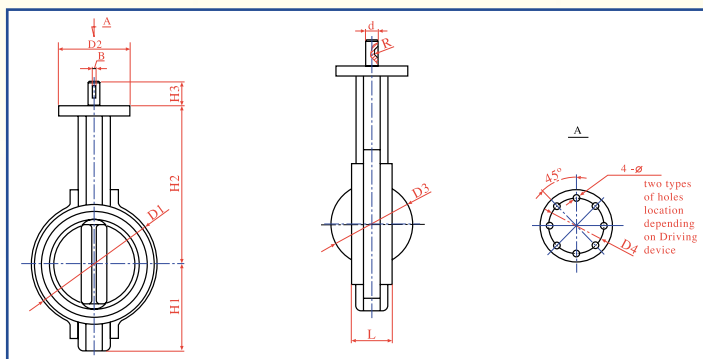


Connection:

Face to Face ISO 5752 / ANSI B16
Top Flange ISO 5211-Pneumatic or Electric Actuator Assembly as option

Available sizes: 2" (50mm) to 24" (600mm)
Operating pressure PN16 (230psi)
Test pressure 25bar (350psi)
Max. operating temperature 110 Centigrade (230F)

Dimensions & Weights:



Size	Measurements (mm.)										Weight (kg.)	
inch.	H1	H2	H3	L	D1	D2	D3	D4	∅	d	707G	707L
2	83	162	32	42	101	92	53	70	10	12.6	3.0	1.6
2½	95	175	32	45	122	92	65	70	10	12.6	3.4	2.0
3	109	181	32	54	128	92	79	70	10	12.6	3.8	2.4
4	124	200	32	52	159	92	105	70	10	15.8	4.4	3.0
5	136	213	32	55	194	92	124	70	10	19.0	6.0	4.6
6	149	226	32	56	216	92	156	70	10	19.0	6.5	5.0
8	181	260	45	61	271	125	203	102	12	22.1	18	16
10	194	291	45	66	323	125	251	102	12	28.5	30	30
12	274	336	45	77	378	140	302	102	12	31.7	38	28
14	267	368	45	77	470	140	332	102	14	31.8	55	36
16	301	400	52	87	525	197	387	140	18	33.4	61	
18	327	422	52	106	585	197	438	140	18	38.1	79	
20	361	480	64	132	650	197	489	140	18	41.2	128	
24	459	562	76	152	770	276	590	165	23	50.7	188	

Components:



Mod. 707L - Lever activation



Mod. 707G - Gear activation

Connection flange
Enables assembly of various actuators:
Manual,
Pneumatic or electric.

Shaft
SST304

Neck
Especially - long
Suitable to easy valve activation
In heavily - insulated pipes

Shaft seal
Made of bi-directional operation preventing penetration of external dirt
Enabling free rotation combined with full-sealing

Disc
Made of Nodular iron. e of
The disc edges are carefully honed to guarantee Full-sealing under low Torque

Body
Made of Heavy Duty Cast iron,
Width dimension to ISO standard

Sleeve
Elastomer material, reinforced by An internal steel ring, for long lifespan



Automatic Control Valves
Dorot Agricultural Cooperation LTD

Kibbutz Dorot • M.P.Hof Ashkelon 79175 Israel • Export Department: TEL: 972-8-6808848 • FAX: 972-8-6808751
E-mail: dorotexp@netvision.net.il • Website: http://www.dorot.com